

High Yield Series

240W Grow Light

3' x 3'



L x W x H = 36.5" x 35" x 3"

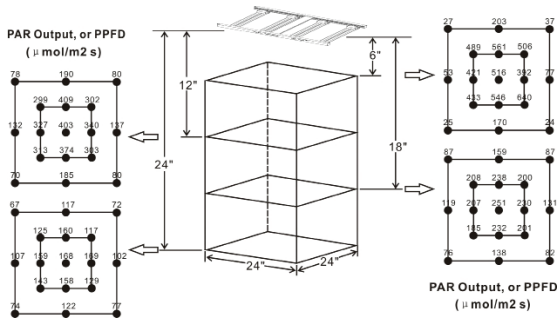
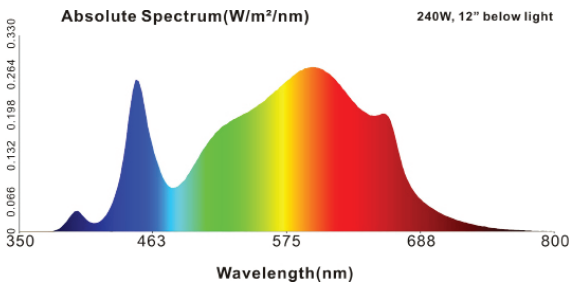
Description

Carson's 240W full spectrum LED grow light uses white, red, and UV light technology. Hanging from rope ratchet hangers, the 240W twin-tube system replaces a 315W ceramic metal halide and covers a 4' x 4' grow tent. Ideal for vertical farming as the light source can be twelve inches or less away from the canopy when in veg and within inches away from the canopy during flower.

Key Features

- Uses private label SMD LED chips
- Rated for 50,000 hours
- 5 year warranty
- IP rating: IP65
- Input voltage: AC 110V-277V
- Amps: 2.0 @ 120V, 1.0 @ 240V, 0.87 @ 277V
- Daisy chain allows flexibility to add or remove beams
- Customized drivers are tailored to fit on each beam
- Efficiency: 1.5 umol/J
- PPF: 245 umol/s
- Weight = 15 lbs
- LED quantity: 320 chips
- Annual Savings of \$112.22

Calculations are based on 6,570 annual hours of operation and \$0.14 average cost per kWh



Ordering Information: CT-D02060GLB-4x3

CT	D	02	060	G	L	B	4x3
Line	Chip	Dimmable	Watts	Series	Type	Color	# of Beams
CT - Premium	D - DC	02 - Non-dimmable	060 - 60 Watts	G - Grow	L - Light	B - White	4x3 - 4 Beams 5x3 - 5 Beams 6x3 - 6 Beams 7x3 - 7 Beams